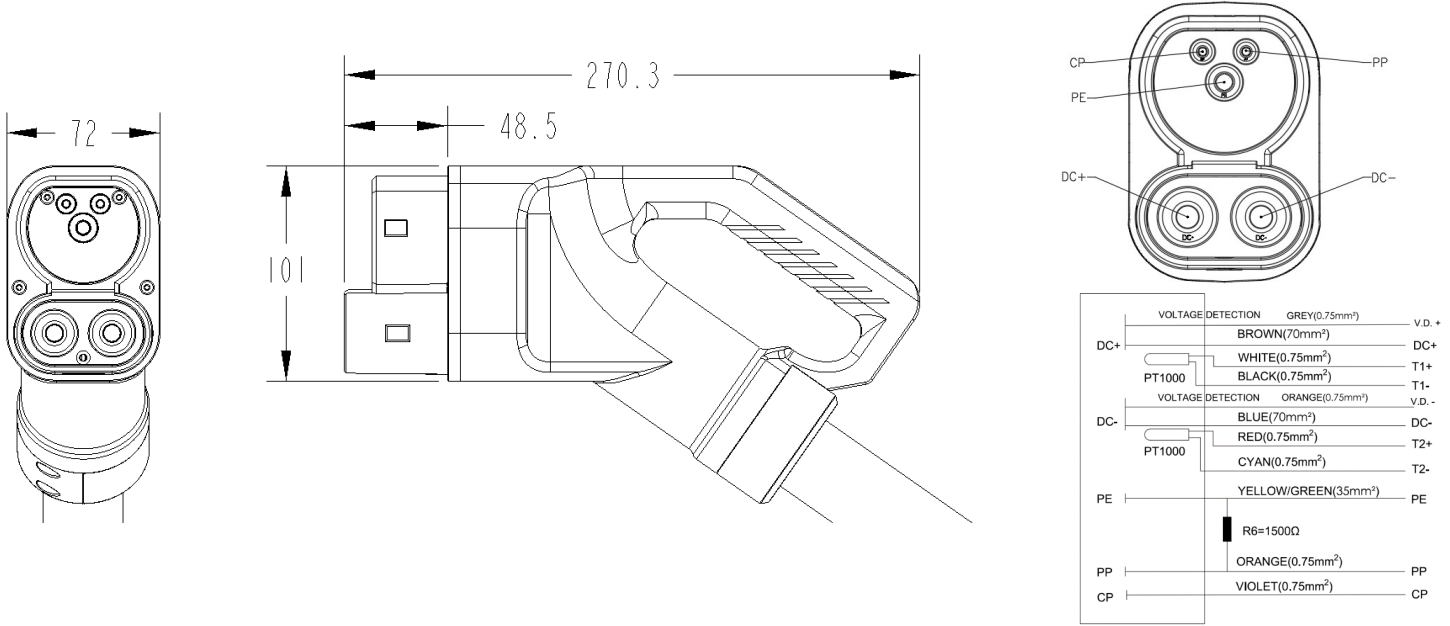


CCS2 250 / 300 / 350A DC Charging Cable



PRODUCT DEFINITION		
Charging Standard	IEC 62196-3	
Standards / Regulations	IEC 61851-1:2017	
Approval	TUV	
DIMENSIONS: VEHICLE CONNECTOR		
Width	72 mm	
Height	101 mm	
Depth	270.3 mm	
Cable Length	On Request	
AMBIENT CONDITIONS		
Ambient Temperature (Operation)	-40°C to +50°C	
Ambient Temperature (Storage / Transport)	-40°C to +105°C	
Max. Altitude	5,000 m (above sea level)	
Degree of Protection (Mated with Socket)	IP67	
Degree of Protection (Mated with Protective Cap)	IP44	
Degree of Protection (Plugged)	IP54	
ELECTRICAL PROPERTIES		
Number of Phases	DC	
Rated Voltage for Power Contacts	1,000V DC	
Rated Current for Power Contacts	250A	300A / 350A
Maximum Charging Power	250 kW	300 kW / 350 kW
Number of Power Contacts	3 (DC+, DC-, PE)	
Rated Voltage for Signal Contacts	30V AC	
Rated Current for Signal Contacts	2A	
Number of Signal Contacts	2 (CP, PP)	
Note on the Connection Method	Crimp Termination (cannot be disconnected)	
Resistor Coding (between PE and PP)	1500 Ω	
Temperature Sensor	2 x Pt1000 or 2 x NTC 10K	
Temperature Sensor Application Range	-50°C to +130°C	
Sensor Shutdown Temperature	Temperature up to 90°C	

CCS2 250 / 300 / 350A DC CHARGING CABLE MECHANICAL DRAWING



MECHANICAL PROPERTIES

Mating Cycles	> 10,000
Insertion Force	< 100 N
Withdrawal	< 100 N

MATERIAL		DESIGN	
Material Housing / Handle Area	Plastic	Housing / Handle Area Colour	Black
Material Mating Face	Plastic	Mating Face / Locking Lever Colour	Black
Material Protective Cap	Soft Plastic (Optional)	Protective Cap Colour	Black (Optional)
Flammability Rating	V0		
Material Contacts	Cu-Alloy	Housing with Customer Logo	On Request
Plating	Silver/Nickel Plating (or On Request)		

CABLE		
AMPERAGE	CABLE STRUCTURE	CABLE O.D.
250A	EVDC 2 x 70mm ² + 1 x 35mm ² + 4 x 2 x 0.75mm ²	33.3 mm
300A / 350A	EVDC 4 x 50mm ² + 1 x 50mm ² + 4 x 2 x 0.75mm ²	37.5 mm

CABLE RESISTANCE AT 20°C		
70mm ²	35mm ²	0.75mm ²
≤ 0.386 Ω/km	≤ 0.554 Ω/km	≤ 26 Ω/km

Cable Standard	EN 50620
Type of Conductor	Straight (or more types on request)
Outer Sheath Material	TPE Compound
Outer Sheath Colour	On Request

ENVIRONMENTAL PRODUCT COMPLIANCE	
REACH SVHC	Compliant
China RoHS	Compliant
EU RoHS	Compliant

Contact us at sales@volex.com for assistance in finding the right solution for your needs.