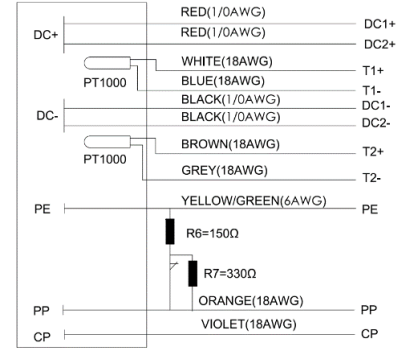
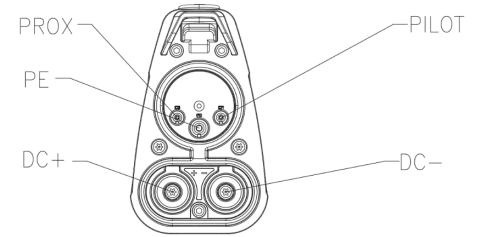
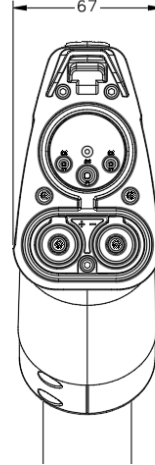
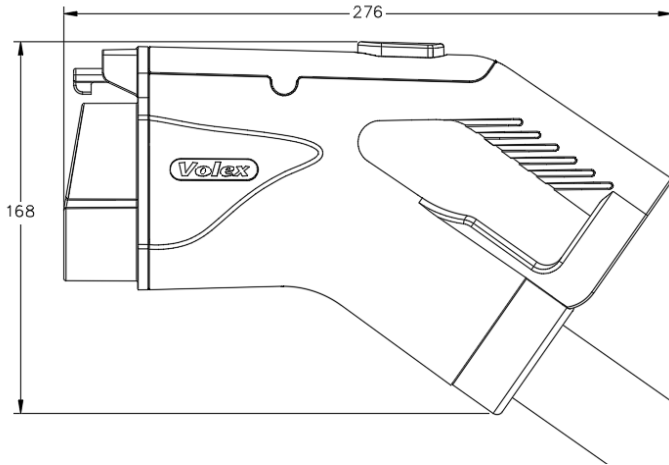


CCS1 250 / 300 / 350A DC Charging Cable



PRODUCT DEFINITION		
Charging Standard	J1772	
Standards / Regulations	UL 2251, CSA C22.2 NO. 282, SAE J1772	
Approval	UR / cUR	
DIMENSIONS: VEHICLE CONNECTOR		
Width	67.3 mm	
Height	168 mm	
Depth	276 mm	
Cable Length	On Request	
AMBIENT CONDITIONS		
Ambient Temperature (Operation)	-40°C to +50°C	
Ambient Temperature (Storage / Transport)	-40°C to +105°C	
Max. Altitude	5,000 m (above sea level)	
Degree of Protection (Mated with Socket)	IP67	
Degree of Protection (Mated with Protective Cap)	IP44	
Degree of Protection (Plugged)	IP54	
ELECTRICAL PROPERTIES		
Number of Phases	DC	
Rated Voltage for Power Contacts	1,000V DC	
Rated Current for Power Contacts	250A	300A / 350A
Maximum Charging Power	250 kW	300 kW / 350 kW
Number of Power Contacts	3 (DC+, DC-, PE)	
Rated Voltage for Signal Contacts	30V AC	
Rated Current for Signal Contacts	2A	
Number of Signal Contacts	2 (CP, CS)	
Note on the Connection Method	Crimp Termination (cannot be disconnected)	
Resistor Coding (between PE and CS)	480 Ω (lever operated) 150 Ω (lever not operated)	
Temperature Sensor	2 x Pt1000	
Temperature Sensor Application Range	-50°C to +130°C	
Sensor Shutdown Temperature	Pt1000 temperature up to 90 °C	

CCS1 250 / 300 / 350A DC CHARGING CABLE MECHANICAL DRAWING



MECHANICAL PROPERTIES

Mating Cycles	> 10,000
Insertion Force	< 75 N
Withdrawal	< 75 N

MATERIAL		DESIGN	
Material Housing / Handle Area	Plastic	Housing / Handle Area Colour	Black
Material Mating Face	Plastic	Mating Face / Locking Lever Colour	Black
Material Protective Cap	Soft Plastic (Optional)	Protective Cap Colour	Black (Optional)
Flammability Rating	V0		
Material Contacts	Cu-Alloy	Housing with Customer Logo	On Request
Plating	Silver/Nickel Plating (or on request)		

CABLE		
AMPERAGE	CABLE STRUCTURE	CABLE O.D.
250A	EVC 2 x 3AWG + 2 x 3AWG + 1 x 3AWG + 6 x 18AWG	31.7 mm
300A / 350A	EVC 2 x 1/0AWG + 2 x 1/0AWG + 1 x 6AWG + 6 x 18AWG	36.5 mm

CABLE RESISTANCE AT 20°C			
1/0AWG	3AWG	6AWG	18AWG
≤ 0.351 Ω/km	≤ 0.70 Ω/km	≤ 1.40 Ω/km	≤ 22.04 Ω/km

Cable Standard	UL 62
Type of Conductor	Straight (or more types on request)
Outer Sheath Material	TPE Compound
Outer Sheath Colour	On Request

ENVIRONMENTAL PRODUCT COMPLIANCE	
REACH SVHC	Compliant
China RoHS	Compliant
EU RoHS	Compliant

Contact us at sales@volex.com for assistance in finding the right solution for your needs.