

QSFP+ to 4x SFP+ Breakout Passive Copper Cables



Volex's QSFP+ to 4x SFP+ breakout passive copper cable assemblies are a cost effective low-power alternative to optical modules for short reach links high speed interconnect applications. These cables enable 40G QSFP+ breakout to 4x 10G SFP+ ports, optimizing data center solutions for connecting 40G Ethernet ports to 10G Ethernet switches and adaptors.

Each QSFP+ to SFP+ hybrid passive copper cable is fully shielded by design using a combination of shielded twin axial cable and robust die cast housings with an actuating pull latch. For added robustness, the overmold technique used in fabrication of these cables provides additional strain relief and minimizes conductor pistoning.

Features and Specifications

Product Type	25 - 30 AWG conductor sizes available to achieve maximum performance up to 6m
Conductor Treatment	Laser Stripped Conductors
Cable Type	PVC
Cable Color	Black
Packaging	PE Bag
Power Supply Voltage	3.3 V
Temperature Range	0 - 70° C
Retention Force	Minimum 90N, Maximum 170N
Insertion Force	Maximum 18N (SFP+), 40N (QSFP+)
Options Include	Customer Specified EEPROM Map Customer Specified Cable Length Low Smoke, Zero Halogen (LSZH) Jackets Custom Colors for Pull Tab and Cable Jacket

Volex reserves the right to change specifications and availability without prior notice.



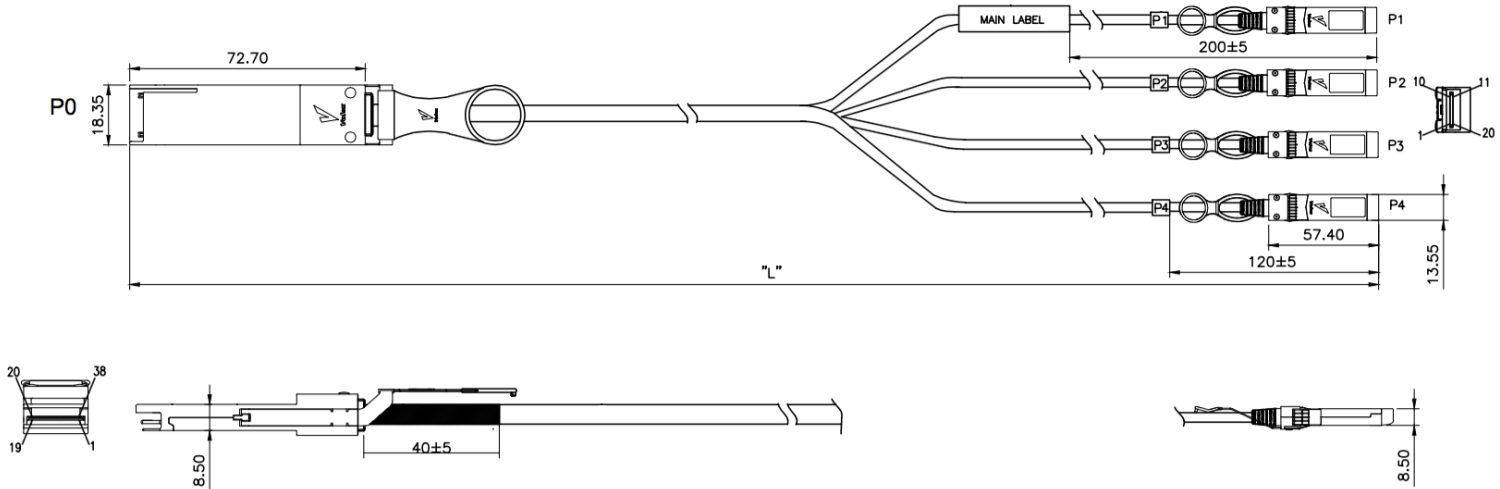
Applications

- Ethernet, 10G, 40G
- Rapid IO
- Myrinet 40G
- Networking
- Storage
- Hubs, Switches, Routers, and Servers

Standards Compliance

- Electrical: SFF-8419, SF-8436
- Mechanical: SFF-8432, SFF-8661
- Memory Map: SFF-8472, SFF-8636
- IEEE P802.3ba
- RoHS

Mechanical Drawing



Volex P/N	Cable Length (m)	Cable Gauge (AWG)	Cable Width (mm)
VQ24S30YP050	0.50	30	6.6
VQ24S30YP075	0.75	30	6.6
VQ24S30YP100	1.00	30	6.6
VQ24S30YP150	1.50	30	6.6
VQ24S30YP200	2.00	30	6.6
VQ24S30YP250	2.50	30	6.6
VQ24S28YP300	3.00	28	7.5
VQ24S28YP400	4.00	28	7.5
VQ24S26YP500	5.00	26	8.8

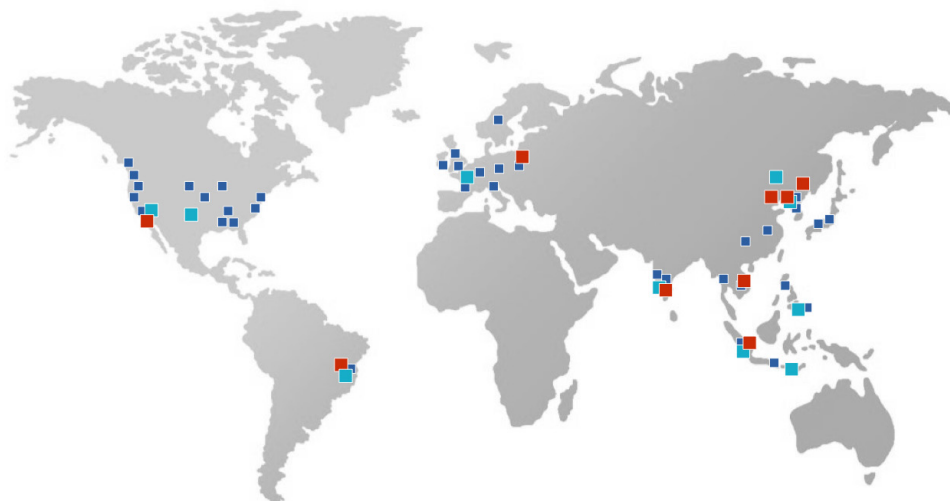
25-30 AWG conductor sizes are used to achieve maximum performance up to 6m.

Options Available

- Low Smoke, Zero Halogen (LSZH) Jackets
- Custom Cable Lengths Up to 7m
- Custom Colors for Pull Tabs
- Custom EEPROM Mapping

Contact us at sales@volex.com for assistance in finding the right solution for your needs.

www.volex.com



Volex Worldwide

- Manufacturing
- Sales Offices
- Distribution Hubs

Americas

Volex, Inc - Austin, TX
Tel: +1.800.246.2673
Email: sales@volex.com

Greater China

Volex Interconnect Systems (Suzhou, China) Co., Ltd
Tel: +86.512.6258.6673
Fax: +86.512.6275.6670
Email: salesGC@volex.com

EMEA

Volex Europe, Ltd.
Co. Mayo, Ireland
Tel: +353.9490.37480
Email: sales@volex.com

Asia Pacific

Volex, Inc - Singapore
Tel: +65.6788.7833
Fax: +65.6788.7822
Email: salesAP@volex.com