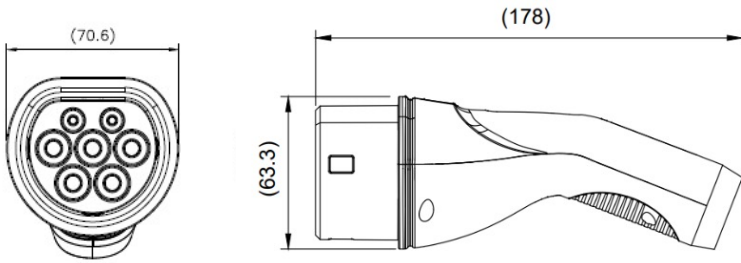


# Type 2, Mode 3 Untethered AC Charging Cable

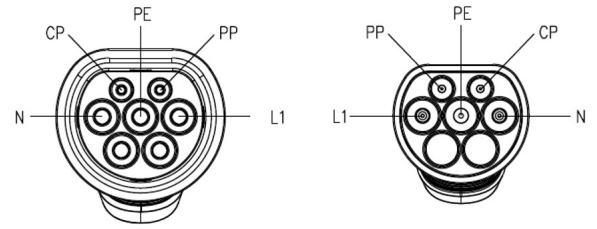


PRODUCT DEFINITION			
<b>Charging Standard</b>		Type 2	
<b>Standards / Regulations</b>		IEC 62196-1,-2	
<b>Approval</b>		TUV, (E.V. Ready Pending)	
DIMENSIONS: CHARGING CONNECTOR		DIMENSIONS: INFRASTRUCTURE PLUG	
<b>Width</b>	70.6 mm	<b>Width</b>	56.6 mm
<b>Height</b>	63.3 mm	<b>Height</b>	49.6 mm
<b>Depth</b>	202 mm	<b>Depth</b>	200 mm
<b>Cable Length</b>	On Request	<b>Cable length</b>	On Request
AMBIENT CONDITIONS			
<b>Ambient Temperature (Operation)</b>		-30°C to +50°C	
<b>Ambient Temperature (Storage / Transport)</b>		-40°C to +80°C	
<b>Max. Altitude</b>		2,500 m (above sea level)	
<b>Degree of Protection (Unmated)</b>		IP67	
<b>Degree of Protection (Mated)</b>		IP55	
ELECTRICAL PROPERTIES			
<b>Number of Phases</b>	1	3	
<b>Rated Voltage for Power Contacts</b>	250V AC	480V AC	
<b>Rated Current for Power Contacts</b>	32A	32A	
<b>Maximum Charging Power</b>	8 kW	22 kW	
<b>Number of Power Contacts</b>	3 (L1, N, PE)	5 (L1, L2, L3, N, PE)	
<b>Rated Voltage for Signal Contacts</b>	30V AC		
<b>Rated Current for Signal Contacts</b>	2A		
<b>Number of Signal Contacts</b>	2 (CP, PP)		
<b>Note on the Connection Method</b>	Crimp Termination (cannot be disconnected)		
<b>Resistor Coding (between PE and CS)</b>	220 Ω		
MECHANICAL PROPERTIES			
<b>Mating Cycles</b>	> 10,000		
<b>Insertion Force</b>	< 100 N		
<b>Withdrawal</b>	< 100 N		

**TYPE 2, MODE 3 UNTETHERED MECHANICAL DRAWING**

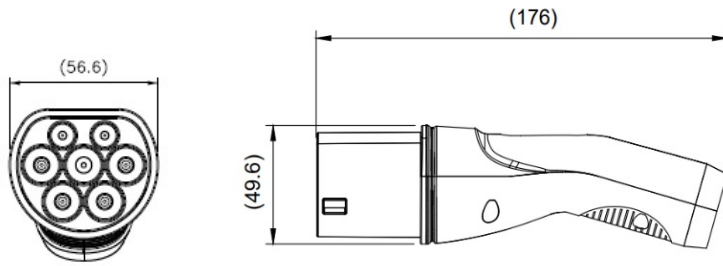


EV Connector

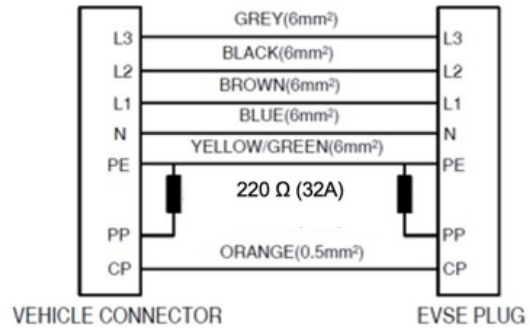


vehicle connector

EVSE Plug



EVSE plug



VEHICLE CONNECTOR

EVSE PLUG

MATERIAL		DESIGN	
Material Housing / Handle Area	Plastic	Housing / Handle Area Colour	Black / On Request
Material Mating Face	Plastic	Mating Face / Locking Lever Colour	Black
Material Protective Cap	Soft Plastic	Protective Cap Colour	Black
Flammability Rating	UL 94 V-0	Housing with Customer Logo	On Request
Material Contacts	Cu-Alloy		
Plating	Silver Plating		
CABLE			
AMPERAGE	CABLE STRUCTURE		PHASE
32A	3 x 6 mm <sup>2</sup> + 1 x 0.5 mm <sup>2</sup>		1 Phase
	5 x 6 mm <sup>2</sup> + 1 x 0.5 mm <sup>2</sup>		3 Phase
CABLE RESISTANCE AT 20°C			
6.0 mm <sup>2</sup>	4.0 mm <sup>2</sup>	0.5 mm <sup>2</sup>	
≤ 3.30 Ω/km	≤ 3.96 Ω/km	≤ 39.00 Ω/km	
Cable Standard	EN50620		
Type of Conductor	Straight (or more type on request)		
Outer Sheath Material	TPU Compound		
Outer Sheath Colour	On Request		
ENVIRONMENTAL PRODUCT COMPLIANCE			
REACH SVHC	Compliant		
China RoHS	Compliant		
EU RoHS	Compliant		

Contact us at [sales@volex.com](mailto:sales@volex.com) for assistance in finding the right solution for your needs.