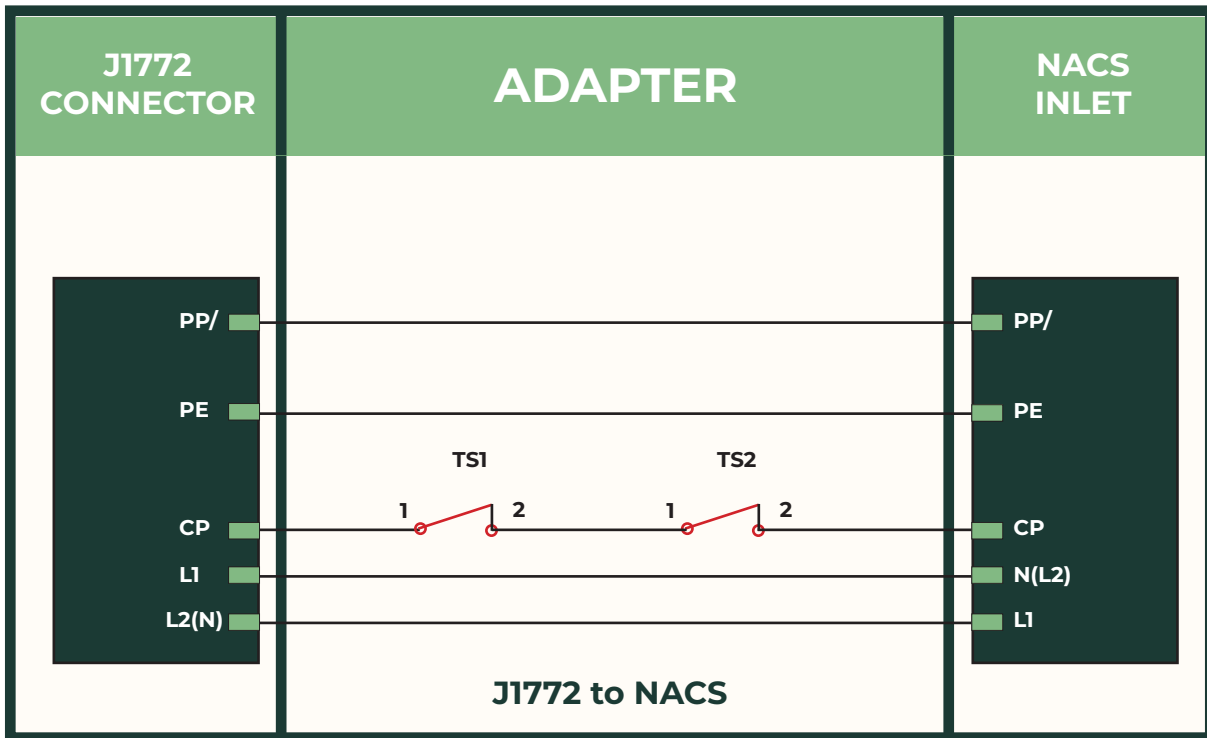
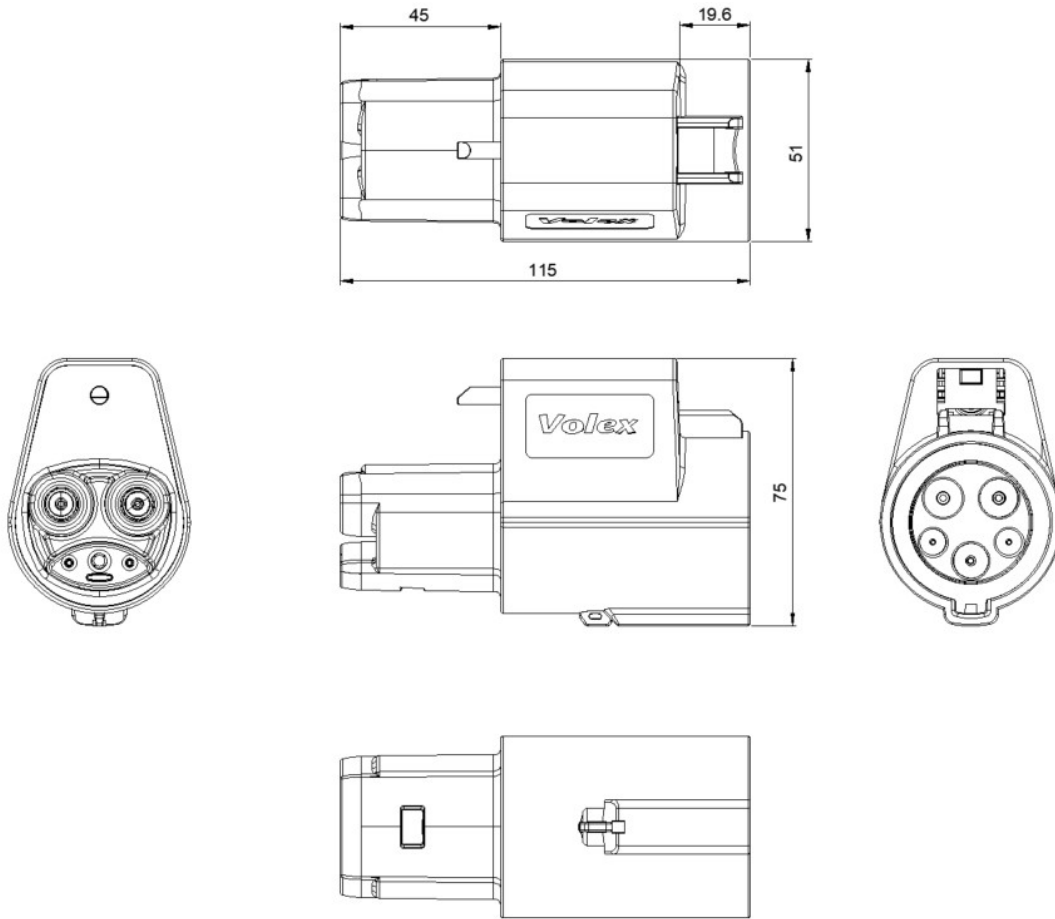


# J1772 TO NACS EV CHARGING ADAPTER



PRODUCT DEFINITION	
Charging Standard	<b>SAE:</b> SAE J1772 <b>SAE:</b> SAE J3400
Standard / Regulations	<b>IEC:</b> IEC 62196-1 <b>IEC:</b> IEC 62196-2
Approvals & Certification	UL 2252
Charging Compatibility	AC Charging (Level 1 and Level 2)
DIMENSIONS OF ADAPTER	
Width	51.0 mm
Height	75.1 mm
Depth	115.0 mm
ENVIRONMENTAL SPECIFICATIONS	
Ambient Temperature (Operation)	-30°C to +50°C
Ambient Temperature (Storage / Transport)	-40°C to +80°C
Maximum Altitude	3,000 m (above sea level)
Operating Humidity	Up to 90% RH, Condensing
Degree of Protection (Mated with Socket / Plug)	IP54
Degree of Protection (Adapter)	IP67 (unmated at both ends)
ELECTRICAL AND MECHANICAL PROPERTIES	
Rated Voltage	300V AC
Rated Current	48 / 80A
Rated Voltage for Signal Contacts	30V
Rated Current for Signal Contacts	2A
Insulation Resistance	≥ 100 MΩ
Mating Cycles (J1772 Inlet and NACS Connector)	≥ 10,000
Insertion Force and Withdrawal Force	< 100 N
MATERIAL	
Adapter Enclosure	Plastic
Terminal	Copper
Plating	Silver / Nickel Plating or On Request
Flammability Rating	UL 94 V-0

**VOLEX J1772 TO NACS ADAPTER MECHANICAL DRAWING**



Contact us at [sales@volex.com](mailto:sales@volex.com) for assistance in finding the right solution for your needs.